

## BAS-1131 DIAPAZON

### UHF TV ANTENNA FOR SUBURBAN AREAS

- Tuned 470-860MHz (Ch21 – 69) and filtered to reject 4G
- High Gain and Directivity with large reflector
- 15mm boom section for strength and rigidity
- Part pre-assembled for "No-tools" assembly
- Four versions of each model:

"P" - passive, antenna does not require power

"5V" - amplified, antenna powering through the antenna socket of the digital converter box (STB)

"USB" - amplified, antenna powering from any USB port using the injector

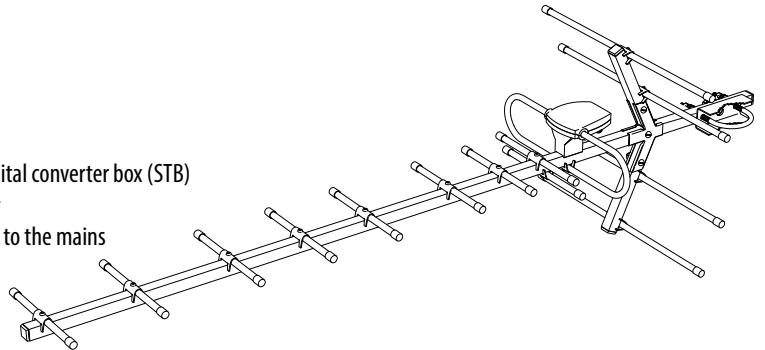
"DX" - amplified, antenna powering from its own power supply connected to the mains

electricity AC 110..230V

- Two options of a TV-set connector in complete set:

F-connector for North America

TV-plug (TV aerial connector) for other territories



### Specifications

Model	BAS-1131-P	BAS-1131-5V	BAS-1131-USB	BAS-1131-DX
Total no of Elements	14			
Junction Box	F-female connector mounted on PCB in clamshell ventilated weatherproof ABS moulding with cable entry grommet			
Frequency range	Wideband 470 - 860MHz : UHF Ch21 – 69 : Stop-band 880-920MHz			
Forward Gain (peak)	12dBi			
Front / Back Ratio at 630MHz (mid-band)	>25dB			
Cross Polar Rejection (typical)	> -20dB			
Input Impedance	75 Ohm			
Amplifier Gain (peak)	—	20dB		
Supply Voltage	—	DC 5V		DC 5..12V
Type	Passive	With amplifier in junction box		
Weight	0.65kg			
Dimension L x W x H	1060mm x 340mm x 260mm			
Boom sizes	15mm x 15mm aluminium central boom & reflector boom			
Element material	8mm aluminium pipe directors & reflectors			
Construction Material	Magnesium aluminium alloy for high strength & corrosion resistance			
Finish	Cleaned and bright aluminium & Galvanised Steel			
Clamp	Fixed clamp Heavy Duty Galvanised Steel up to 50mm			
Packaging	Individual carton 1200mm x 260mm x 85mm / Outer carton contains 10 pieces			
Gross (Individual /Outer)	0.76 kg / 7.6 kg			

### Ordering Options

BAS-1131-P	Passive, w/o cable
BAS-1131-5V	Amplified, w/o cable, TV-plug
BAS-1131-USB	Amplified, w/o cable, USB power injector with TV-plug
BAS-1131-DX	Amplified, w/o cable, USB power injector with TV-plug, power supply AC 100..230V / DC 5V
BAS-1131-5V-F	Amplified, w/o cable, F-connector
BAS-1131-USB-F	Amplified, w/o cable, USB power injector with F-connector
BAS-1131-DX-F	Amplified, w/o cable, USB power injector with F-connector, power supply AC 100..230V / DC 5V

*In the interests of continued product development & improvement, SEMZ REMO LLC reserves the right to change product specifications, design & dimensions without notice.  
Data correct at time of going to press 05/02/2018*