



BEST ANTENNA SOLUTIONS

**TV Antenna Outdoor Omnidirectional
BAS-1348 OMNI 2.0**

QUICK USER GUIDE

0.7 kg	320x320x70 mm	VHF/UHF	75 Ohm	RG-6/U SAT-50 SAT-703
--------	---------------	---------	--------	-----------------------------

Version: ○ P ○ 5V ○ USB ○ DX

Gain VHF, max.	3dB	12dB	12dB	12dB
Gain UHF, max.	8dB	35dB	35dB	35dB
Power Supply	—	—5V	—5V	—5V

Thank you for choosing the antenna outdoor BAS-1348 OMNI 2.0!

It has been developed by a team of engineers determined to continue the tradition of excellence and innovation of REMO-Technologii products. The antenna BAS-1348 OMNI 2.0 is made of high-quality materials in accordance with thoroughly detailed design.

The antenna outdoor BAS-1348 OMNI 2.0 will provide high-quality reception of digital television DVB-T/T2, ATSC, ISDB-T on the VHF&UHF channels together with the modern TV sets or digital converter box (STB) and does not require orientation to the TV transmitter due to the possibility of reception from any direction. The antenna can be installed on a mast with a diameter up to 50 mm or a wall bracket (when mounted on a bracket, the antenna should be above the roof ridge).

The antenna has several versions:

BAS-1348-P OMNI 2.0 – antenna does not require power

BAS-1348-5V OMNI 2.0 – antenna powering through the antenna socket of the digital converter box (STB)

BAS-1348-USB OMNI 2.0 – antenna powering from any USB port using the injector

BAS-1348-DX OMNI 2.0 – antenna powering from its own power supply connected to the mains electricity AC 110..230V.

The antenna is connected to the TV with an RG-6/U coaxial cable (SAT-50, SAT-703 or similar) using F-connector and F-F connector.

In the versions -USB and -DX, a USB-injector with a DIN (TV) connector is included in the package. The antenna version -DX is additionally equipped with a power supply unit with a USB output.

Warranty:

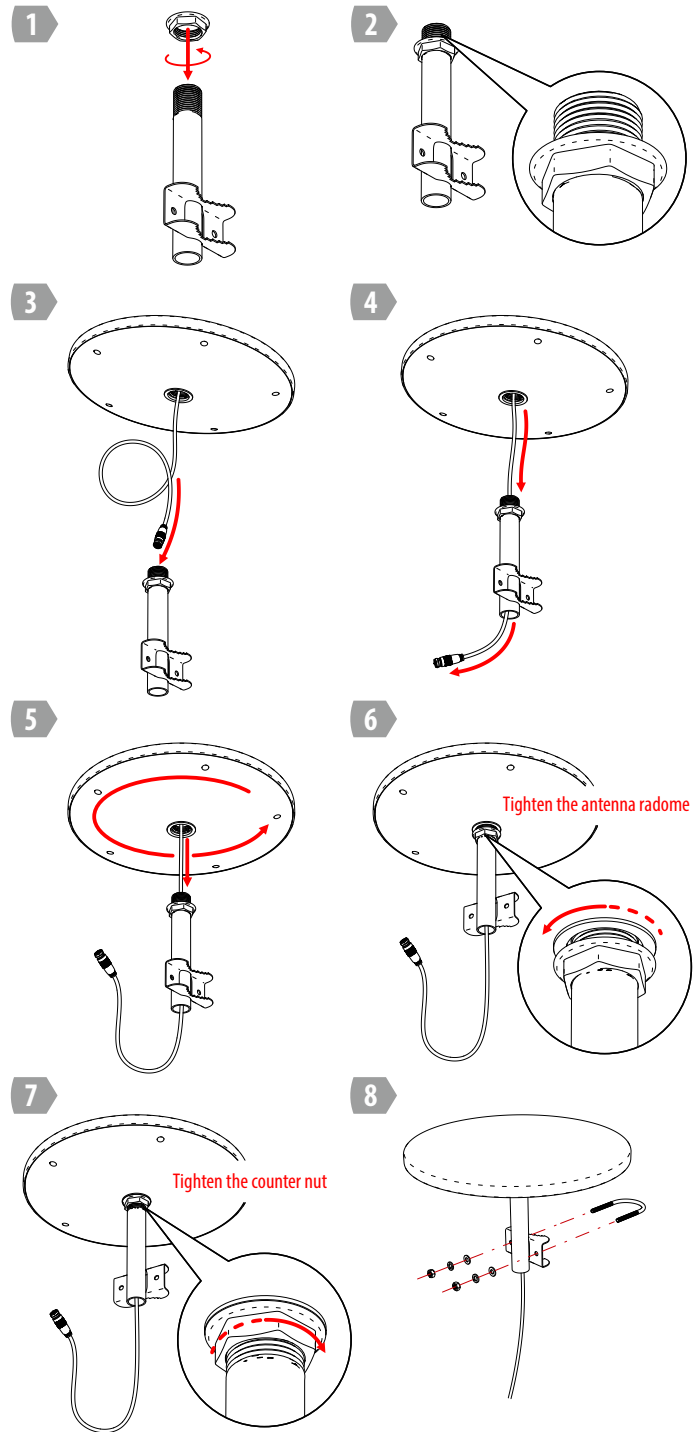
This product comes with one year warranty against any defects in labor or materials. REMO-Technologii warrants this product is free from defects in material and workmanship for a period of one year from date of purchase. Our obligation under this warranty is limited to repair or replacement of any parts or workmanship that prove to be defective upon inspection.

This warranty does not apply to normal wear and tear as well as to damages resulting from shipment, alteration or misuse of the product.

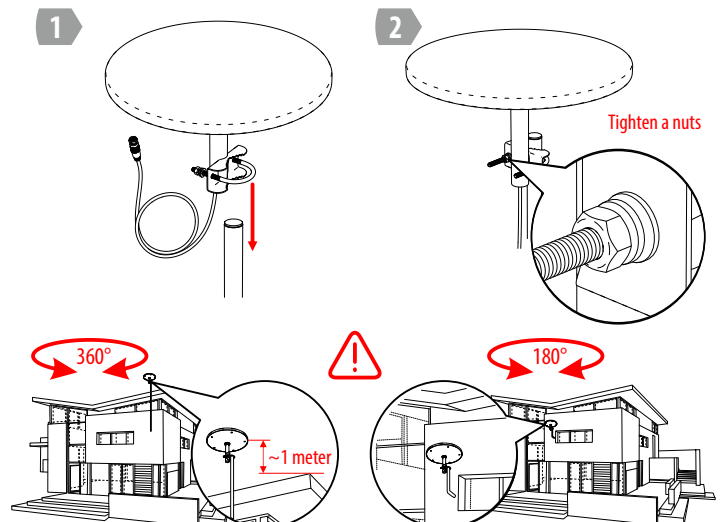
Manufacturer:

REMO-Technologii, LLC.,
P.O.Box 500, Saratov, 410052, Russia.
www.remo-electronics.com

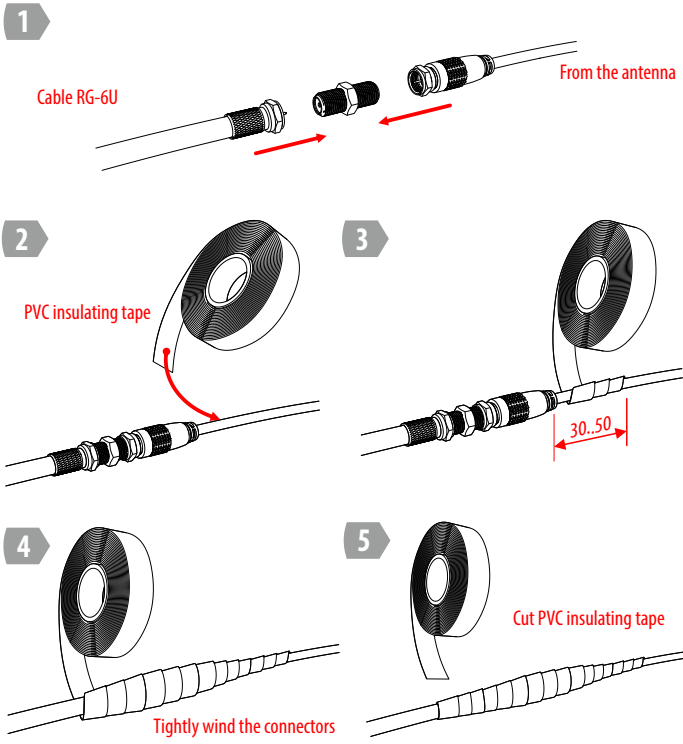
Antenna Assembly Diagram



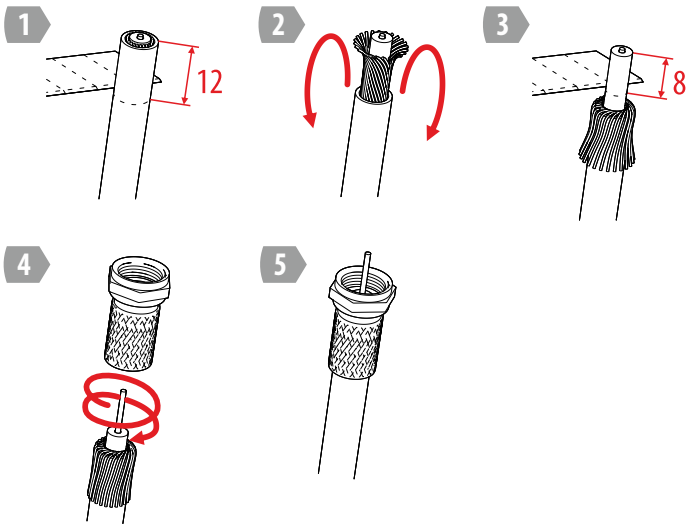
Antenna Installation Diagram



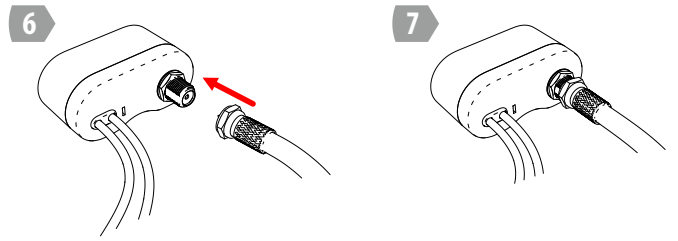
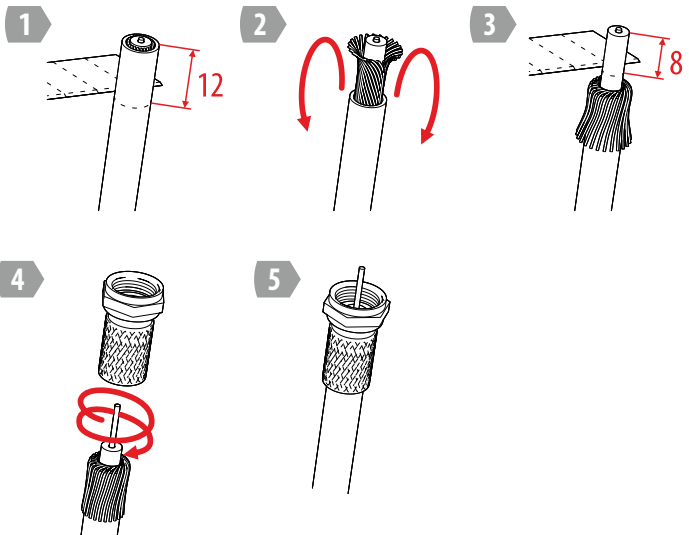
Cable connection and sealing



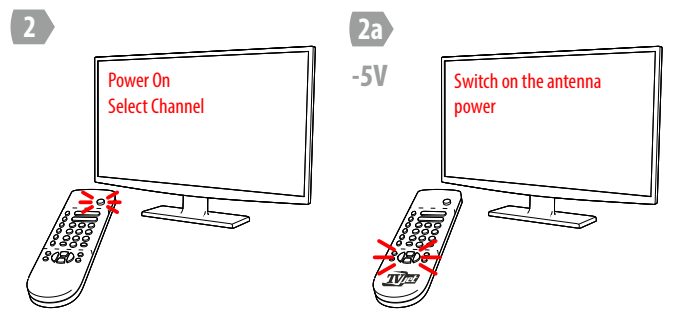
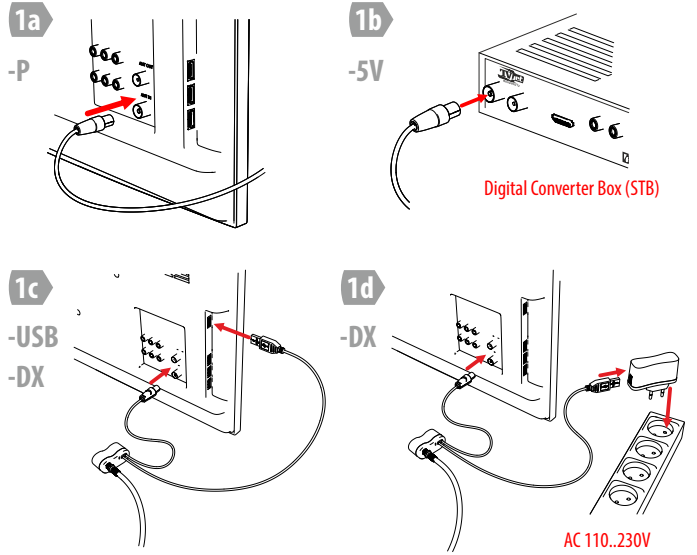
Installing the F-connector



Installing the F-connector and connecting the power injector



Connecting to a TV



Great! You have installed the antenna and plugged it to the TV.
Nice watching your favorite TV shows!