

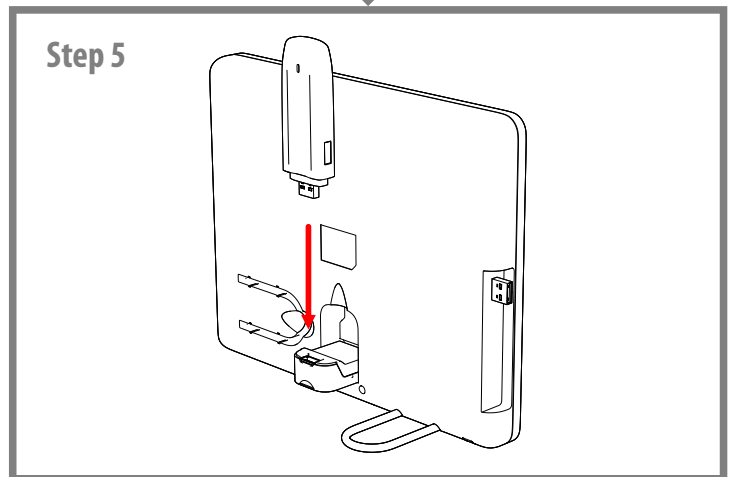
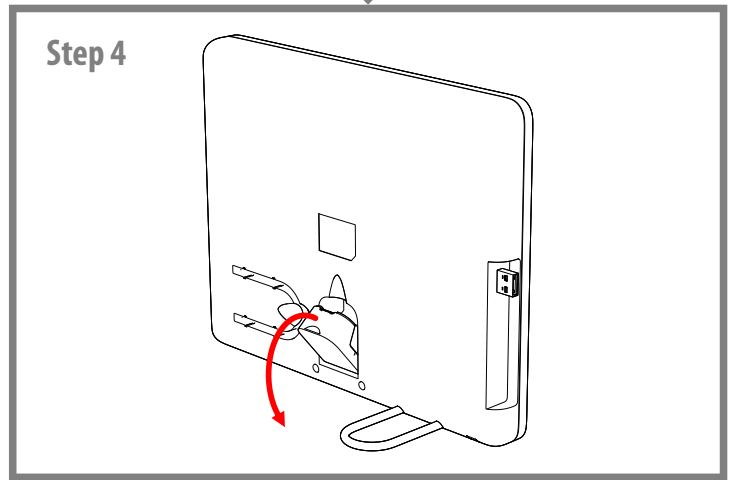
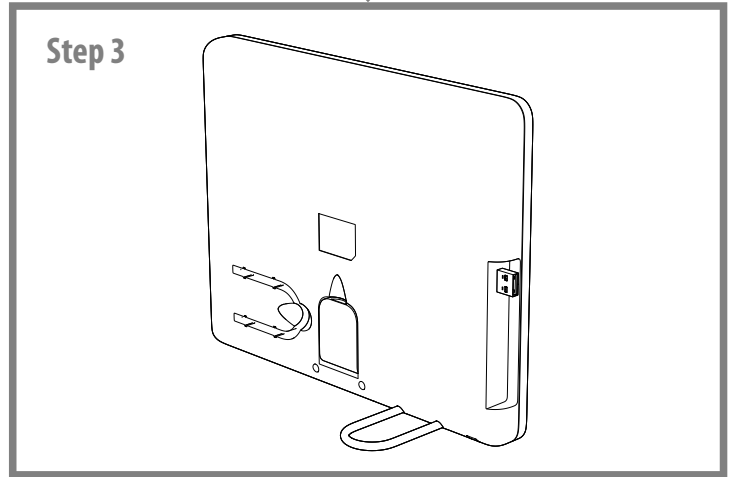
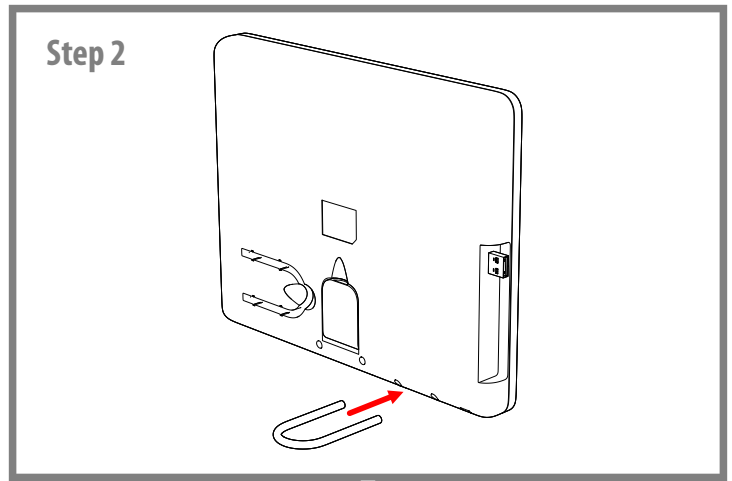
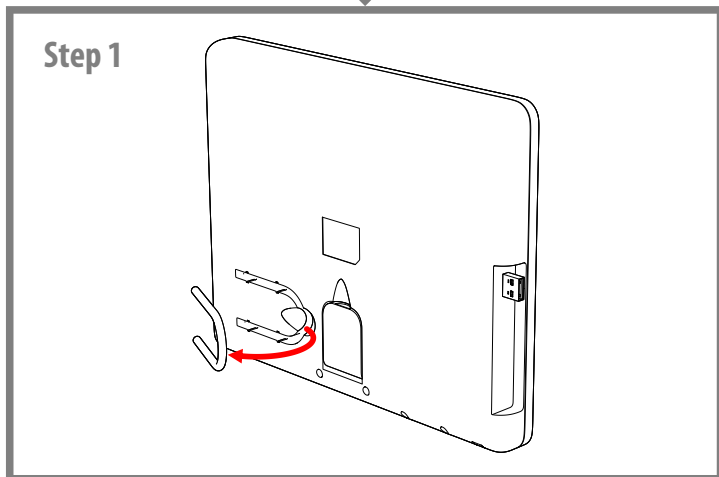
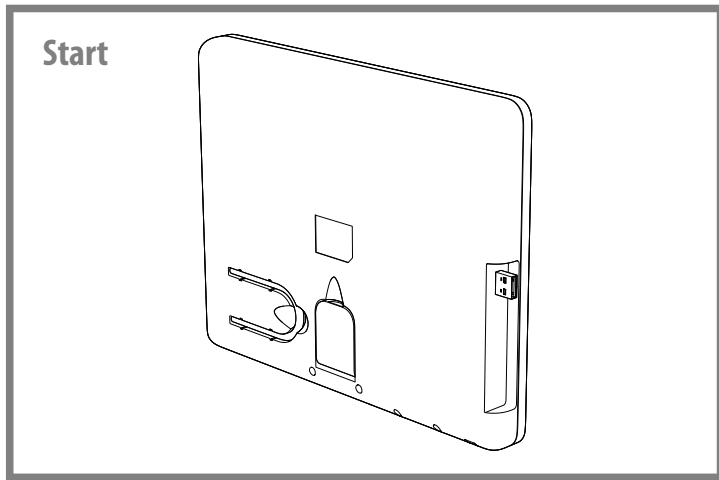
# Internet Signal Booster CONNECT 3.0

## QUICK USER GUIDE

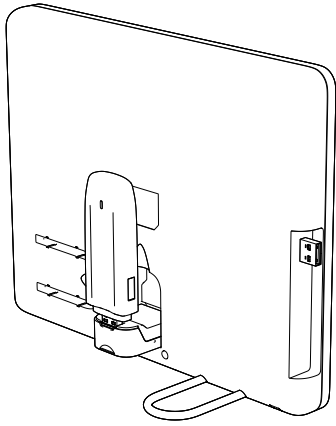
Thank you for choosing the Internet Signal Booster CONNECT 3.0! It has been developed by a team of engineers determined to continue the tradition of excellence and innovation of REMO-Electronics products. The Internet Signal Booster CONNECT 3.0 is made of high-quality materials in accordance with thoroughly detailed design.

The Booster can be installed either on a table, or a shelf, or nearby a window, or any other horizontal surface. You won't even need any tools!

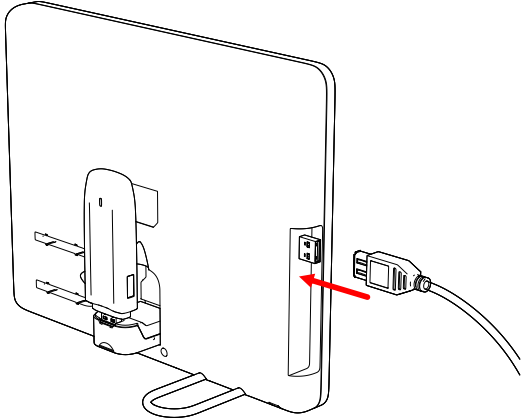
The Internet Signal Booster CONNECT 3.0 will improve the signal strength, as well as steadiness and accuracy of data transmission. The Internet Signal Booster CONNECT 3.0 is compatible with USB-dongle of any cellular network provider and standards (3G/UMTS, LTE, WiFi, WiMAX).



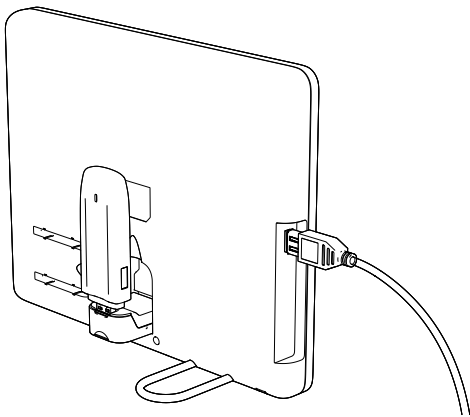
Step 6



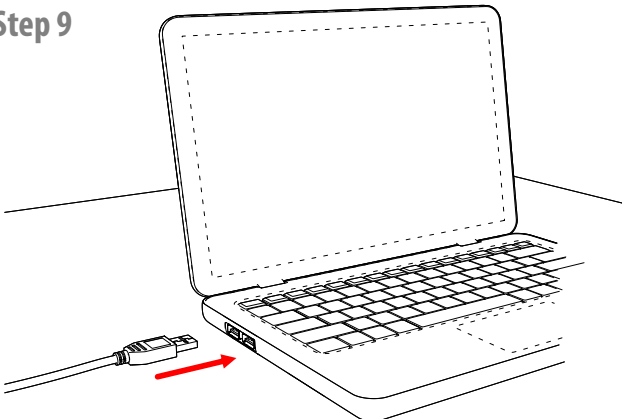
Step 7



Step 8

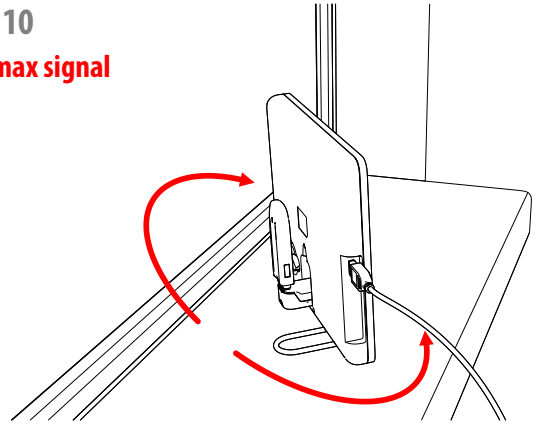


Step 9

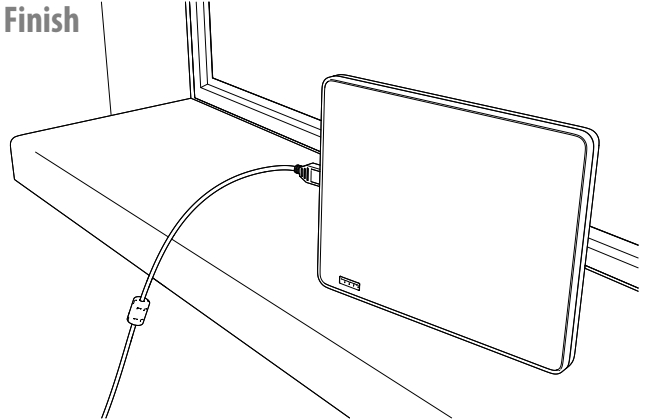


Step 10

**Find max signal**



Finish



In order to gain maximum signal, we recommend to use free mobile data monitoring application MDMA. The latest version of the app can be downloaded from their website:

<http://www.nerve.org.za/mdma/>

Community-based support of this application is available at

<http://mybroadband.co.za/vb/showthread.php/59080>

This product comes with one year warranty against any defects in labor or materials. REMO-Electronics warrants this product is free from defects in material and workmanship for a period of one year from date of purchase. Our obligation under this warranty is limited to repair or replacement of any parts or workmanship that prove to be defective upon inspection. This warranty does not apply to normal wear and tear as well as to damages resulting from shipment, alteration or misuse of the product.

**REMO-Electronics, P.O.Box 500, Saratov, 410052, Russia**

**[www.remo-electronics.com](http://www.remo-electronics.com)**