

REMO ELECTRONICS

Wi-Fi Flat Antenna REMO BAS-2307 WiFi Dual Band

QUICK USER GUIDE

Thank you for choosing our Flat Antenna REMO BAS-2307 WiFi Dual Band! It has been developed by a team of engineers determined to continue with the tradition of excellence and innovation of REMO-Electronics products. Wi-Fi Flat Antenna REMO BAS-2307 WiFi Dual Band is made of high-quality materials in accordance with thoroughly detailed design.

BAS-2307 WiFi Dual Band can be installed on any mast with a diameter up to 50 mm or wall bracket. The antenna is connected to the WiFi router or WiFi adapter via cable RG-58A/U with RP-SMA connector.

Wi-Fi Flat Antenna REMO BAS-2307 WiFi Dual Band improves the signal strength, as well as steadiness and accuracy of data transmission. The antenna REMO BAS-2307 WiFi Dual Band is compatible with Wi-Fi adapters and Wi-Fi routers operating in the frequency range 2.4 GHz and 5 GHz (IEEE802.11a/ac/b/g/n), with RP-SMA connector.

Electrical Data

Frequency: 2400-2500 MHz; 5100-6100 MHz

Gain: 15 dBi; 12 dBi

VSWR: <2.0:1

Polarization: Vertical

Horizontal Beamwidth: 40°; 41°

Vertical Beamwidth: 35°; 33°

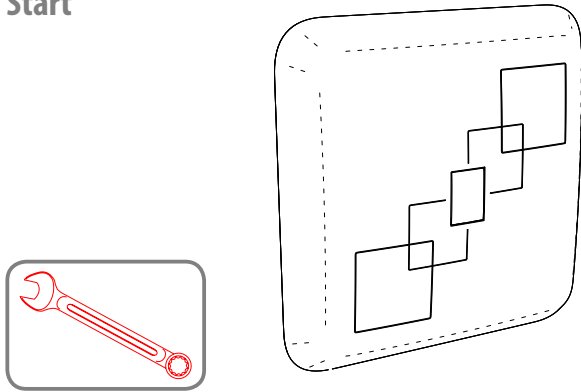
Nominal Impedance: 50 Ohms

F/B Ratio: >20 dB

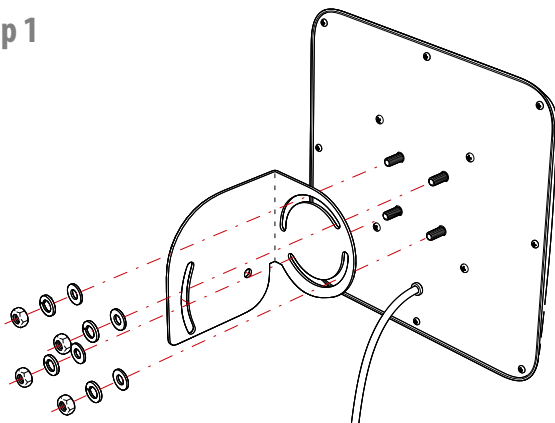
Max Input Power: 100 W

Lightning Protection: DC Ground

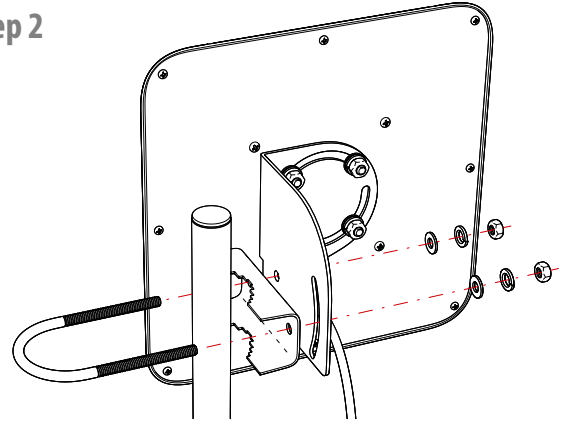
Start



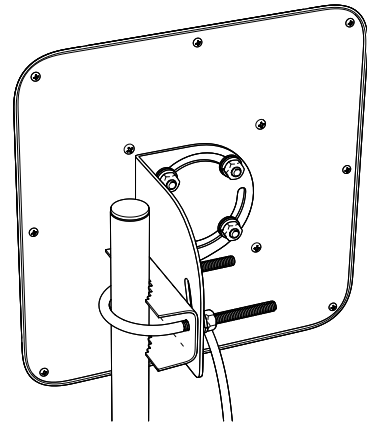
Step 1



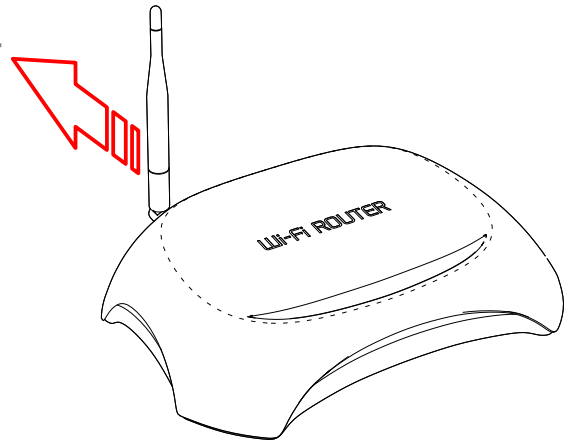
Step 2



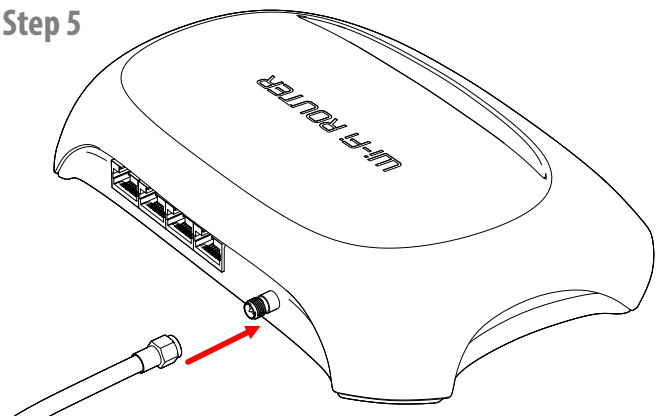
Step 3



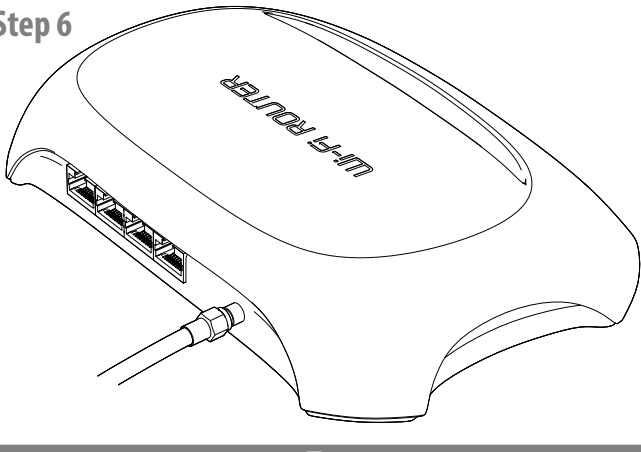
Step 4



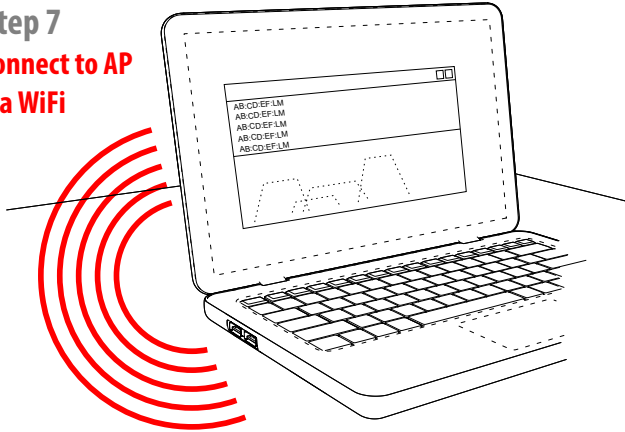
Step 5



Step 6

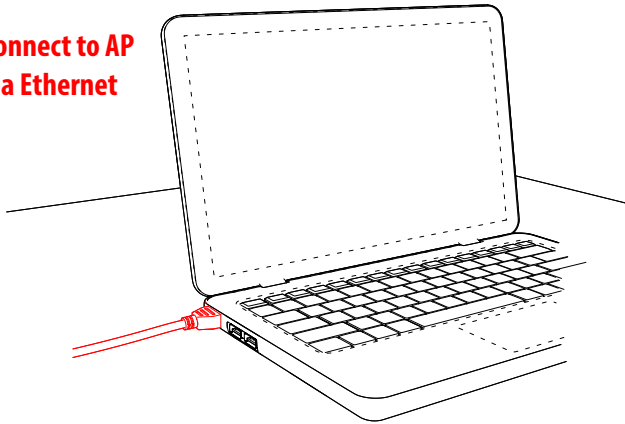


Step 7 Connect to AP via WiFi

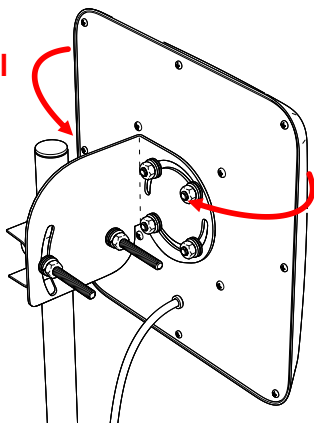


OR

Connect to AP via Ethernet

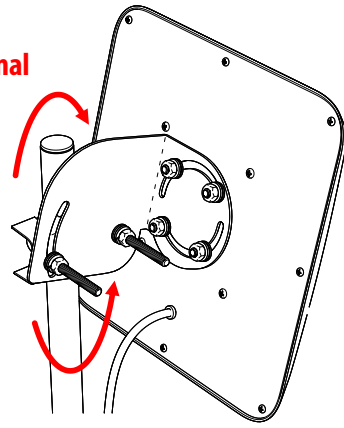


Step 8 Find max signal

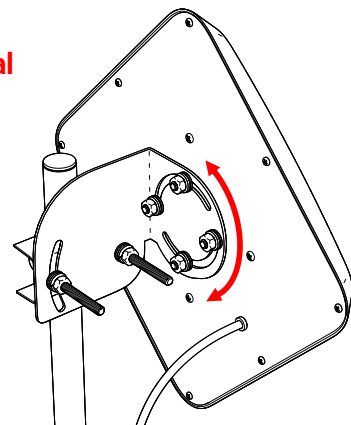


Step 9

Find max signal



Finish Find max signal



Mechanical Data

Connector: RP-SMA-Male

Dimensions: 9.5x9.5x3.3in

Weight: no more than 2.2 lb

Reflector Material: Aluminum Alloy

Radome Material: Weatherproof ABS

Mounting Method: Mast or Wall Bracket

Mast Size: Ø20-Ø50mm

Rated Wind Velocity: 210km/h

Operating temperature: -40~+65C

In order to gain maximum signal, we recommend to use special utilities, which are able to scan WiFi network and display detailed information for wireless network.

For example, you can choose the following utilities (for installation on portable or stationary PC):

for Windows:

WirelessNetView (www.nirsoft.net/utills/wireless_network_view.html)

NetSpot (www.netspotapp.com/netspot-windows.html)

Free Wi-Fi Scanner (lizardsystems.com/wi-fi-scanner/)

for Linux:

LinSSID (sourceforge.net/projects/linssid/)

iwScanner (kuthulu.com/iwscanner/index.php)

Attention! These utilities can be presented as a demonstration and have the status of Shareware Trial Version with a limited trial period of use. Shareware programs may restrict commercial use, and periodically remind the user about payment.

This product comes with one year warranty against any defects in labor or materials. REMO-Electronics guarantees this product is free from defects in material and workmanship for a period of one year from date of purchase. Our obligation under this warranty is limited to repair or replacement of any parts or workmanship that prove to be defective upon inspection. This warranty does not apply to normal wear and tear as well as to damages resulting from shipment, alteration or misuse of the product.

Manufacturer:

REMO-Technologii, LLC., P.O.Box 500, Saratov, 410052, Russia

+7 845 249 5233; info@remo-electronics.com;

www.remo-electronics.com