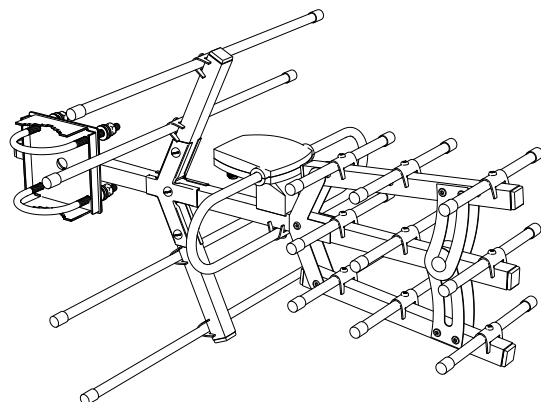


## BAS-1144 TRITON-S-UHF

### UHF TV ANTENNA FOR SUBURBAN AREA

- Tuned 470-860MHz (Ch21 – 69) and filtered to reject 4G
- Light weight, compact size, high gain and directivity with large reflector
- 15mm boom section for strength and rigidity
- Pre-assembled for "No-tools" assembly
- Four versions of each model:
  - "P" - passive, antenna does not require power
  - "5V" - amplified, antenna powering through the antenna socket of the digital converter box (STB)
  - "USB" - amplified, antenna powering from any USB port using the injector
  - "DX" - amplified, antenna powering from its own power supply connected to the mains electricity AC 110..230V
- Two options of a TV-set connector in complete set:
  - F-connector for North America
  - TV-plug (TV aerial connector) for other territories



### Specifications

| Model                                   | BAS-1144-P   | BAS-1144-5V                    | BAS-1144-USB | BAS-1144-DX |
|---|--|--------------------------------|--------------|-------------|
| Total no of Elements                    | 14   |                                |              |             |
| Junction Box                            | F-female connector mounted on PCB in clamshell ventilated weatherproof ABS moulding with cable entry grommet |                                |              |             |
| Frequency range                         | Wideband 470 - 860MHz : UHF Ch21 – 69 : Stop-band 880-920MHz   |                                |              |             |
| Forward Gain (peak)                     | 10dBi  |                                |              |             |
| Front / Back Ratio at 630MHz (mid-band) | >25dB  |                                |              |             |
| Cross Polar Rejection (typical)         | > -20dB  |                                |              |             |
| Input Impedance                         | 75 Ohm   |                                |              |             |
| Amplifier Gain (peak)                   | —  | 27dB                           |              |             |
| Supply Voltage                          | —  | DC 5V                          |              | DC 5..12V   |
| Type                                    | Passive  | With amplifier in junction box |              |             |
| Weight                                  | 1.6kg  |                                |              |             |
| Dimension L x W x H                     | 520mm x 260mm x 340mm  |                                |              |             |
| Boom sizes                              | 15mm x 15mm aluminium central boom & reflector boom  |                                |              |             |
| Element material                        | 8mm aluminium pipe directors & reflectors  |                                |              |             |
| Construction Material                   | Magnesium aluminium alloy for high strength & corrosion resistance   |                                |              |             |
| Finish                                  | Cleaned and bright aluminium & Galvanised Steel  |                                |              |             |
| Clamp                                   | Fixed clamp Heavy Duty Galvanised Steel up to 50mm   |                                |              |             |
| Packaging                               | Individual carton 500mm x 260mm x 130mm / Outer carton contains 10 pieces                                    |                                |              |             |
| Gross (Individual /Outer)               | 2.0 kg / 20.0 kg   |                                |              |             |

### Ordering Options

|                |  |
|----------------|--|
| BAS-1144-P     | Passive, w/o cable   |
| BAS-1144-5V    | Amplified, w/o cable, TV-plug  |
| BAS-1144-USB   | Amplified, w/o cable, USB power injector with TV-plug  |
| BAS-1144-DX    | Amplified, w/o cable, USB power injector with TV-plug, power supply AC 100..230V / DC 5V     |
| BAS-1144-5V-F  | Amplified, w/o cable, F-connector  |
| BAS-1144-USB-F | Amplified, w/o cable, USB power injector with F-connector                                    |
| BAS-1144-DX-F  | Amplified, w/o cable, USB power injector with F-connector, power supply AC 100..230V / DC 5V |

*In the interests of continued product development & improvement, SEMZ REMO LLC reserves the right to change product specifications, design & dimensions without notice.  
Data correct at time of going to press 05/02/2018*